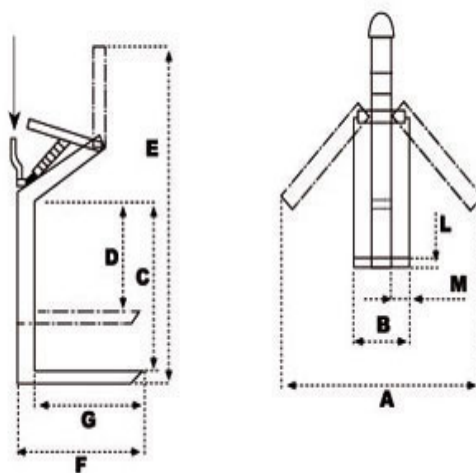




FURCA DE MACARA MODEL MBA-ZN ZINCATA LA CALD

• Adjustment handwheel



• Self-leveling ends

MODEL	CAPACITATE (kg)	A	B	C*	D	E	F	G	L	M	GREUTATE PROPRIE (kg)
MBA-06ZN	600	1600	340	1300	1200	2360	1080	1000	25	80	100
MBA-10ZN	1000	1600	340	1300	1200	2360	1080	1000	25	90	125
MBA-15ZN	1500	1600	340	1300	1200	2360	1080	1000	30	90	136
MBA-20ZN	2000	1600	340	1300	1200	2360	1080	1000	35	100	155
MBA-25ZN	2500	1600	380	1300	1200	2360	1090	1000	35	120	175
MBA-30ZN	3000	1600	380	1300	1200	2360	1090	1000	35	120	180